



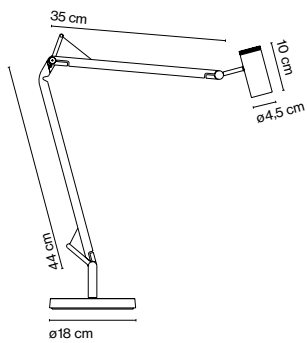
# Polo

## Joan Gaspar

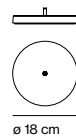
**marset**



**Polo**



**Base**



**Polo**

LED 7W 350mA 3000K  
520lm (included)

Black electrical cord

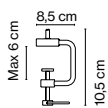
Body and diffuser in lacquered aluminium.  
A switch is incorporated into the diffuser.  
Metal base with a polycarbonate cover.

- Black (Ral 9005)
- White (Ral 9001)



- [Download](#) Assembly Instructions
- [Download](#) Photometric Data
- [Download](#) 2D
- [Download](#) 3D
- [Download](#) Energy label

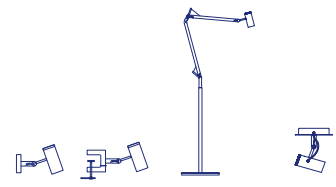
**Clamp**



**Table bracket**



**Range**



**Watch the video**  
info@marset.com  
www.marset.com



The fluidity of its movements and its total stability make this flexible fitting a light source which can be moved anywhere without cluttering your desk or taking up too much valuable space.